

## Samskip EDI | Message Implementation Guide

# IFTMIN D.09A

v 1.0 | 8 March 2023

### About This Document

This document provides a simplified message implementation guide for a EDIFACT IFTMIN version D.09A message tailored to the use for connectivity to Samskip. Subsequent sections provide technical details for this message.

### Audience

This document is intended for personnel engaged in establishing an electronic connection with SAMSkip for the purpose of exchanging business transactions over the Internet.

### Document History

Release Date	Document Information
January 9, 2023	Initial document.

# Index

1	Introduction .....	3
1.1	EDIFACT is SAMSKIP's preferred format.....	3
1.2	Scope .....	3
2	IFTMIN D.09A Instruction message.....	4
2.1	Functional definition .....	4
2.2	Field of application .....	4
2.3	IFTMIN message, Message Structure Chart .....	4
2.4	IFTMIN message, Branching Diagram.....	9
2.5	IFTMIN message, Segment Description.....	10
2.6	IFTMIN, Segment Layout .....	16
3	IFTMIN D.09A example message.....	26
3.1	IFTMIN D.09A, example.....	26
3.2	IFTMIN D.09A, content .....	27

# 1 Introduction

## 1.1 EDIFACT is SAMSKIP's preferred format

SAMSKIP supports several formats for exchanging EDI messages. EDIFACT, X12, xml, json, csv and flat files are in use. If the partner can use EDIFACT, this is the preferred format.

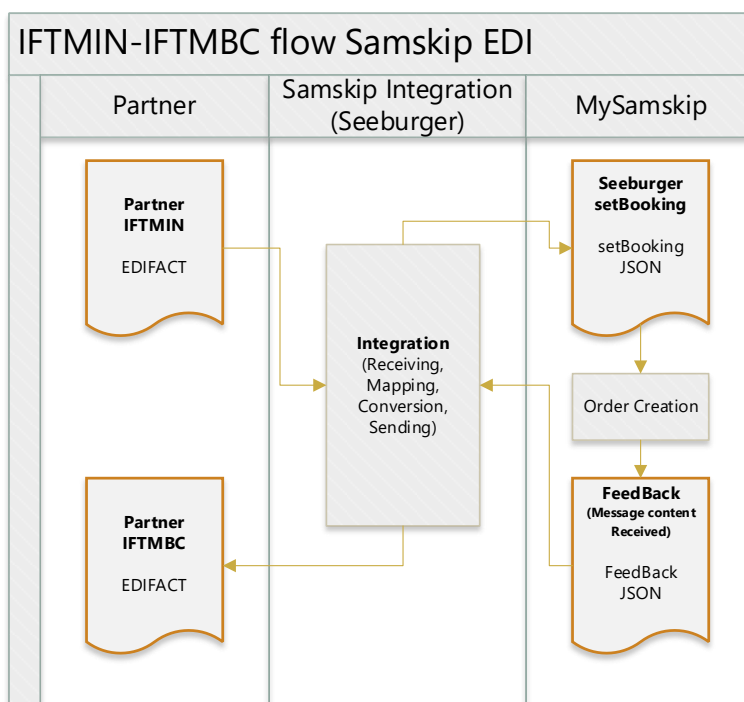
EDIFACT provides:

- A set of syntax rules to structure data
- Standard messages that allow data exchange between different industries and different countries – also known as a transaction
- An extensive set of code lists and indicates which protocol is used for secure messaging
- Developed in 1987 by the United Nations (UN), providing an international standard
- EDIFACT is ISO 9735-10:2014 certified

At the time of writing, we're using Seeburger as our EDI system, capable of providing an even wider range of formats.

## 1.2 Scope

We limited the number of messages we describe in this guide to four, most preferred and most used messages in our Partner integrations.



## 2 IFTMIN D.09A Instruction message

### 2.1 Functional definition

A message from the party issuing an instruction regarding forwarding/transport services for a consignment under conditions agreed, to the party arranging the forwarding and/or transport services.

### 2.2 Field of application

The Instruction message may be used for both national and international applications. It is based on universal practice related to administration, commerce and transport, and is not dependent on the type of business or industry.

### 2.3 IFTMIN message, Message Structure Chart

Pos	Tag Name	S	R
0010	UNH Message header	M	1
0020	BGM Beginning of message	M	1
0030	CTA Contact information	C	1
0040	COM Communication contact	C	9
0050	DTM Date/time/period	C	9
0060	TSR Transport service requirements	C	9
0070	CUX Currencies	C	9
0080	MOA Monetary amount	C	99
0090	FTX Free text	C	99
0100	CNT Control total	C	9
0110	DOC Document/message details	C	9
0120	GDS Nature of cargo	C	9
0130	----- Segment group 1 -----	C	99-----++
0140	LOC Place/location identification	M	1
0150	DTM Date/time/period	C	9-----++
0160	----- Segment group 2 -----	C	2-----++
0170	TOD Terms of delivery or transport	M	1
0180	LOC Place/location identification	C	9-----++
0190	----- Segment group 3 -----	C	999-----++
0200	RFF Reference	M	1
0210	DTM Date/time/period	C	9-----++
0220	----- Segment group 4 -----	C	9-----++
0230	GOR Governmental requirements	M	1
0240	DTM Date/time/period	C	9
0250	LOC Place/location identification	C	9
0260	SEL Seal number	C	9
0270	FTX Free text	C	9
0280	----- Segment group 5 -----	C	9-----++
0290	DOC Document/message details	M	1
0300	DTM Date/time/period	C	1-----++

0310	----- Segment group 6 -----	C	9-----+	
0320	CPI Charge payment instructions	M	1	
0330	RFF Reference	C	99	
0340	CUX Currencies	C	1	
0350	LOC Place/location identification	C	9	
0360	MOA Monetary amount	C	9-----+	
0370	----- Segment group 7 -----	C	99-----+	
0380	TCC Charge/rate calculations	M	1	
0390	LOC Place/location identification	C	1	
0400	FTX Free text	C	1	
0410	CUX Currencies	C	1	
0420	PRI Price details	C	1	
0430	EQN Number of units	C	1	
0440	PCD Percentage details	C	1	
0450	MOA Monetary amount	C	9	
0460	QTY Quantity	C	9-----+	
0470	----- Segment group 8 -----	C	99-----+	
0480	TDT Transport information	M	1	
0490	DTM Date/time/period	C	9	
0500	TSR Transport service requirements	C	9	
0510	----- Segment group 9 -----	C	99-----+	
0520	LOC Place/location identification	M	1	
0530	DTM Date/time/period	C	9-----+	
0540	----- Segment group 10 -----	C	9-----+	
0550	RFF Reference	M	1	
0560	DTM Date/time/period	C	1-----+	
0570	----- Segment group 11 -----	M	99-----+	
0580	NAD Name and address	M	1	
0590	LOC Place/location identification	C	9	
0600	MOA Monetary amount	C	9	
0610	----- Segment group 12 -----	C	9-----+	
0620	CTA Contact information	M	1	
0630	COM Communication contact	C	9-----+	
0640	----- Segment group 13 -----	C	9-----+	
0650	DOC Document/message details	M	1	
0660	DTM Date/time/period	C	1-----+	
0670	----- Segment group 14 -----	C	99-----+	
0680	TCC Charge/rate calculations	M	1	
0690	CUX Currencies	C	1	
0700	PRI Price details	C	1	
0710	EQN Number of units	C	1	
0720	PCD Percentage details	C	1	
0730	MOA Monetary amount	C	9	
0740	QTY Quantity	C	9-----+	
0750	----- Segment group 15 -----	C	9-----+	
0760	RFF Reference	M	1	

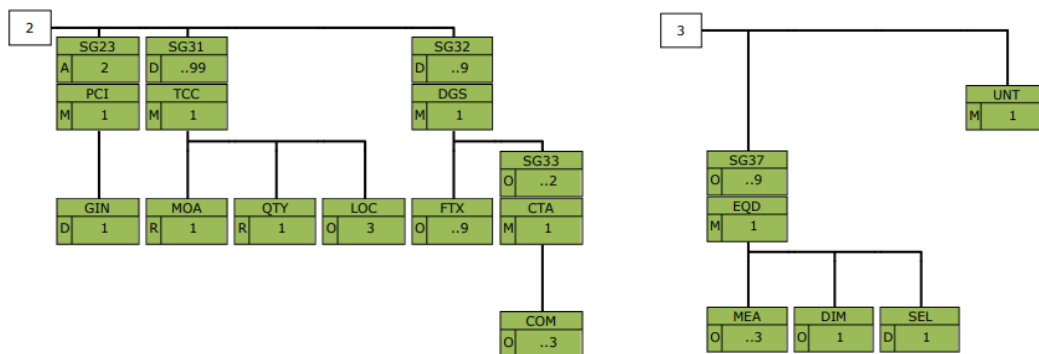
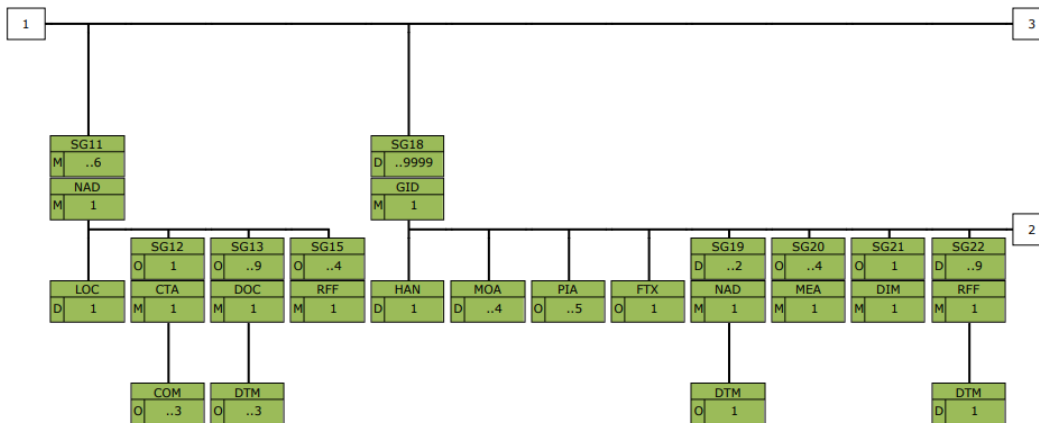
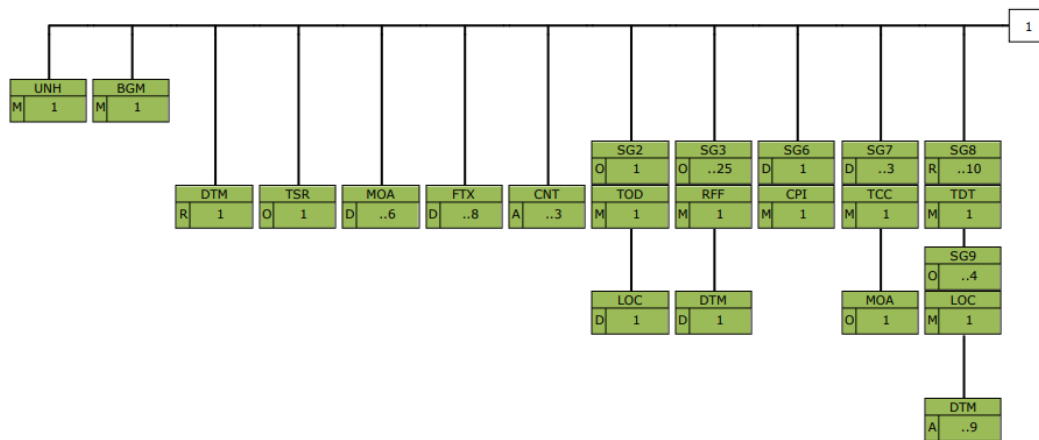
0770	DTM Date/time/period	C	9-----+
0780	----- Segment group 16 -----	C	9-----+
0790	CPI Charge payment instructions	M	1
0800	RFF Reference	C	99
0810	CUX Currencies	C	1
0820	LOC Place/location identification	C	9
0830	MOA Monetary amount	C	9-----+
0840	----- Segment group 17 -----	C	99-----+
0850	TSR Transport service requirements	M	1
0860	RFF Reference	C	1
0870	LOC Place/location identification	C	1
0880	TPL Transport placement	C	1
0890	FTX Free text	C	9-----++
0900	----- Segment group 18 -----	C	9999-----+
0910	GID Goods item details	M	1
0920	HAN Handling instructions	C	99
0930	TMP Temperature	C	1
0940	RNG Range details	C	1
0950	TMD Transport movement details	C	1
0960	LOC Place/location identification	C	9
0970	MOA Monetary amount	C	9
0980	PIA Additional product id	C	9
0990	FTX Free text	C	99
1000	PCD Percentage details	C	9
1010	----- Segment group 19 -----	C	9-----+
1020	NAD Name and address	M	1
1030	DTM Date/time/period	C	1
1040	LOC Place/location identification	C	9-----+
1050	GDS Nature of cargo	C	9
1060	----- Segment group 20 -----	C	99-----+
1070	MEA Measurements	M	1
1080	EQN Number of units	C	1-----+
1090	----- Segment group 21 -----	C	99-----+
1100	DIM Dimensions	M	1
1110	EQN Number of units	C	1-----+
1120	----- Segment group 22 -----	C	9-----+
1130	RFF Reference	M	1
1140	DTM Date/time/period	C	9-----+
1150	----- Segment group 23 -----	C	999-----+
1160	PCI Package identification	M	1
1170	RFF Reference	C	1
1180	DTM Date/time/period	C	1
1190	GIN Goods identity number	C	10-----+
1200	----- Segment group 24 -----	C	9-----+
1210	DOC Document/message details	M	1
1220	DTM Date/time/period	C	9-----+

1230	----- Segment group 25 -----	C	9-----+
1240	GOR Governmental requirements	M	1
1250	DTM Date/time/period	C	9
1260	LOC Place/location identification	C	9
1270	SEL Seal number	C	9
1280	FTX Free text	C	9
1290	----- Segment group 26 -----	C	9-----+
1300	DOC Document/message details	M	1
1310	DTM Date/time/period	C	1-----+
1320	----- Segment group 27 -----	C	9-----+
1330	TPL Transport placement	M	1
1340	----- Segment group 28 -----	C	9-----+
1350	MEA Measurements	M	1
1360	EQN Number of units	C	1-----+
1370	----- Segment group 29 -----	C	999-----+
1380	SGP Split goods placement	M	1
1390	----- Segment group 30 -----	C	9-----+
1400	MEA Measurements	M	1
1410	EQN Number of units	C	1-----+
1420	----- Segment group 31 -----	C	99-----+
1430	TCC Charge/rate calculations	M	1
1440	CUX Currencies	C	1
1450	PRI Price details	C	1
1460	EQN Number of units	C	1
1470	PCD Percentage details	C	1
1480	MOA Monetary amount	C	9
1490	QTY Quantity	C	9
1500	LOC Place/location identification	C	9-----+
1510	----- Segment group 32 -----	C	99-----+
1520	DGS Dangerous goods	M	1
1530	FTX Free text	C	99
1540	----- Segment group 33 -----	C	9-----+
1550	CTA Contact information	M	1
1560	COM Communication contact	C	9-----+
1570	----- Segment group 34 -----	C	9-----+
1580	MEA Measurements	M	1
1590	EQN Number of units	C	1-----+
1600	----- Segment group 35 -----	C	999-----+
1610	SGP Split goods placement	M	1
1620	----- Segment group 36 -----	C	9-----+
1630	MEA Measurements	M	1
1640	EQN Number of units	C	1-----+
1650	----- Segment group 37 -----	C	999-----+
1660	EQD Equipment details	M	1

1670	EQN	Number of units	C	1	
1680	TMD	Transport movement details	C	1	
1690	MEA	Measurements	C	9	
1700	DIM	Dimensions	C	9	
1710	SEL	Seal number	C	99	
1720	TPL	Transport placement	C	9	
1730	HAN	Handling instructions	C	1	
1740	TMP	Temperature	C	1	
1750	FTX	Free text	C	9	
1760	RFF	Reference	C	9	
1770		----- Segment group 38 -----	C	99-----	+
1780	TCC	Charge/rate calculations	M	1	
1790	CUX	Currencies	C	1	
1800	PRI	Price details	C	1	
1810	EQN	Number of units	C	1	
1820	PCD	Percentage details	C	1	
1830	MOA	Monetary amount	C	9	
1840	QTY	Quantity	C	9-----	+
1850		----- Segment group 39 -----	C	9-----	+
1860	NAD	Name and address	M	1	
1870	DTM	Date/time/period	C	1	
1880		----- Segment group 40 -----	C	9-----	+
1890	CTA	Contact information	M	1	
1900	COM	Communication contact	C	9-----	+
1910		----- Segment group 41 -----	C	99-----	+
1920	EQA	Attached equipment	M	1	
1930	EQN	Number of units	C	1-----	+
1940		----- Segment group 42 -----	C	99-----	+
1950	DGS	Dangerous goods	M	1	
1960	FTX	Free text	C	9	
1970		----- Segment group 43 -----	C	9-----	+
1980	CTA	Contact information	M	1	
1990	COM	Communication contact	C	9-----	+
2000	UNT	Message trailer	M	1	



## 2.4 IFTMIN message, Branching Diagram



## 2.5 IFTMIN message, Segment Description

### **SEGMENT DESCRIPTION**

---

**UNH    Message header**

---

Function: A service segment heading, and uniquely identifying the message.  
Usage: M1

---

**BGM    Beginning of message**

---

Function: A segment uniquely identifying the message by means of its coded name, number and function.  
Usage: M1

---

**DTM    Date/time/period**

---

Function: A segment specifying the date/time of creation of the message.  
Usage: R1

---

**TSR    Transport service requirements**

---

Function: A segment specifying the contract and carriage condition, the loads requirement, and the transport priority for the entire consignment.  
Usage: O1

---

**MOA    Monetary amount**

---

Function: A segment specifying a monetary amount for the entire consignment.  
Usage: D..6

---

**FTX    Free text**

---

Function: A segment specifying supplementary information for the entire consignment.  
Usage: D..8

---

**CNT    Control total**

---

Function: A segment specifying the weight, volume and quantity of the packages within the entire consignment.  
Usage: A..3

---

**SG2    TOD-LOC**

---

Function: A group of segments specifying the terms of delivery for the whole message.  
Usage: O1  
Notes: The LOC segment is only used if the terms of delivery ('F' & 'C') require a named location/place.

---

**TOD    Terms of delivery or transport**

---

Function: A segment specifying the terms of delivery for the entire consignment.  
Usage: M1

---

**LOC    Place/location identification**

---

Function: A segment identifying a location or place required for the terms of delivery.  
Usage: D1

---

**SG3    RFF-DTM**

---

Function: A group of segments referencing documents and their dates/times, relating to the entire consignment.  
Usage: O..25  
Notes: Normally references are specified at the goods item level. Where the information refers to the entire consignment it must be in SG3. Where the information is not the same for every goods item it must appear in every SG22, and not here.  
The DTM segment must be sent where local law requires the date of a reference document to be sent.

---

**RFF    Reference**

---

Function: A segment specifying a document reference number.  
Usage: M1

---

**DTM    Date/time/period**

---

Function: A segment specifying the date/time of the reference document.  
Usage: D 1

---

**SG6 CPI**

---

Function: A group of segments to indicate how the payment of freight charges should take place.  
Usage: D 1  
Notes: If there is a need to indicate how the payment of freight charges should take place, in some countries the explicit use of the CPI segment is required.  
If CO C200 DE 4237 is used in the TCC segment of SG7, SG6 should not be used.

---

**CPI Charge payment instructions**

---

Function: A segment indicating how the payment of freight charges should take place.  
Usage: M 1

---

**SG7 TCC-MOA**

---

Function: A group of segments specifying freight charges associated with the transport.  
Usage: D ..3  
Notes: SG7 is only used when there is a need to specify the freight charges associated with the transport.

---

**TCC Charge/rate calculations**

---

Function: A segment specifying a charge and its settlement.  
Usage: M 1

---

**MOA Monetary amount**

---

Function: A segment specifying a monetary charge amount.  
Usage: O 1

---

**SG8 TDT-SG9**

---

Function: A group of segments specifying transport details.  
Usage: R ..10  
Notes: SG8 will be repeated for specifying the mode of transportation for successive stages e.g. road, air.

---

**TDT Transport information**

---

Function: A segment specifying the stage and mode of transport, the identification of the means of transport, and if necessary the carrier information.  
Usage: M 1

---

**SG9 LOC-DTM**

---

Function: A group of segments specifying locations and dates/times related to the stage of transport.  
Usage: O ..4  
Notes:

---

**LOC Place/location identification**

---

Function: A segment identifying the location.  
Usage: M 1

---

**DTM Date/time/period**

---

Function: A segment specifying a date/time for the specified location.  
Usage: A ..9

---

**SG11 NAD-LOC-SG12-SG13-SG15**

---

Function: A group of segments identifying the parties involved and their associated information, relevant to the whole message.  
Usage: M ..6

Notes: As a minimum NAD segments identifying the consignor (CZ) and the consignee (CN) must be present. If the goods items specified in SG18 (GID segment) have different delivery addresses, the relevant addresses need to be specified in the NAD segment in SG19 and not here.

The LOC segment is only to be used if more details regarding specific places and locations of the party specified in NAD are required, e.g. site, gate, building or dock number.

---

**NAD Name and address**

---

Function: A segment identifying the function and coded identification, name and address of a party involved.  
Usage: M1

---

**LOC Place/location identification**

---

Function: A segment specifying a location or place relevant to the specified party.  
Usage: D1

---

**SG12 CTA-COM**

---

Function: A group of segments giving contact details of the specific person or department within the identified party involved, to whom communication should be directed.

Usage: O1  
Notes:

---

**CTA Contact information**

---

Function: A segment identifying a person or department, and their function.  
Usage: M1

---

**COM Communication contact**

---

Function: A segment identifying a communications type and number.  
Usage: O..3

---

**SG13 DOC-DTM**

---

Function: A group of segments identifying documents, and their dates, required by an identified party.

Usage: O..9  
Notes:

---

**DOC Document/message details**

---

Function: A segment identifying a required document.  
Usage: M1

---

**DTM Date/time/period**

---

Function: A segment specifying the date/time of the identified document.  
Usage: O..3

---

**SG15 RFF**

---

Function: A group of segments giving references relating to the identified party.

Usage: O..4  
Notes:

---

**RFF Reference**

---

Function: A segment specifying a company specific reference.  
Usage: M1

---

**SG18 GID-HAN-MOA-PIA-FTX-SG19-SG20-SG21-SG22-SG23-SG31-SG32**

---

Function: A group of segments providing details of goods items i.e. shippable units/packages and its material content.

Usage: D..9999

Notes: SG18 is dependent on the message function stated in the BGM segment.  
When an original message or a replace is sent, this group of segments is required, but when a cancellation is sent, it is not required.  
The HAN segment is always used when the package contains hazardous materials, and in other cases as appropriate.  
The MOA segment is used if required by the consignee to undertake customs clearance procedures.  
SG19 is used when goods items have different pick-up and/or delivery addresses.  
Normally references are specified at the goods item level, SG22. Where the information refers to the entire consignment it must be in SG3.  
SG31 is used to give information to a Forwarder/Agent, when making a customs declaration on behalf of the Exporter/Consignor.  
SG32 must be sent when at least one of the goods items is classified as dangerous goods.

---

**GID Goods item details**

---

Function: A segment describing the number and package type for the goods item.  
The segment also carries a sequence number assigned to the goods item within the message.  
Usage: M1

---

**HAN Handling instructions**

---

Function: A segment specifying package handling and giving notification of hazardous material for the goods item.  
Usage: D1

---

**MOA Monetary amount**

---

Function: A segment specifying a monetary amount associated with the goods item.  
Usage: D..4

---

**PIA Additional product id**

---

Function: A segment providing additional identification numbers for the goods item.  
Usage: O..5

---

**FTX Free text**

---

Function: A segment providing a high level description of the material, contained within the shippable unit/package.  
Usage: O1

---

**SG19 NAD-DTM**

---

Function: A group of segments identifying different despatch and/or delivery parties and their associated information, and related dates/times for the goods item.  
Usage: D..2  
Notes: If the goods items specified in SG18 (GID segment) have the same delivery address, this address should be specified in the NAD segment in SG11 and not here.

---

**NAD Name and address**

---

Function: A segment identifying the coded identification, name and address of a despatch and/or delivery party.  
Usage: M1

---

**DTM Date/time/period**

---

Function: A segment specifying a date/time relating to the identified party.  
Usage: O1

---

**SG20 MEA**

---

Function: A group of segments specifying measurements, other than dimensions, applicable to a goods item.  
Usage: O..4  
Notes:

---

**MEA Measurements**

---

Function: A segment specifying a measurement.  
Usage: M1

---

**SG21 DIM**

---

Function: A group of segments specifying dimensions applicable to a goods item or part of a goods item.  
Usage: O 1  
Notes:

---

**DIM Dimensions**

---

Function: A segment specifying the dimensions.  
Usage: M 1

---

**SG22 RFF-DTM**

---

Function: A group of segments specifying identity numbers and referencing documents and their dates/times, associated with the goods item.  
Usage: D ..9  
Notes: The DTM segment must be sent where local law requires the date of a reference document to be sent.

---

**RFF Reference**

---

Function: A segment specifying an identity number or a document reference number.  
Usage: M 1

---

**DTM Date/time/period**

---

Function: A segment indicating the date/time of the reference document.  
Usage: D 1

---

**SG23 PCI-GIN**

---

Function: A group of segments specifying packaging identification numbers and shipping marks.  
Usage: A 2  
Notes: When this information is barcoded, it must be preceded by the appropriate data identifiers. However, if the same shipping marks are valid for all goods items, the shipping marks can be inserted at header level, in the FTX segment, using qualifier 'PAC'.

---

**PCI Package identification**

---

Function: A segment specifying packaging identification numbers or shipping marks for the goods item.  
Usage: M 1

---

**GIN Goods identity number**

---

Function: A segment specifying the licence plate number.  
Usage: D 1

---

**SG31 TCC-MOA-QTY-LOC**

---

Function: A group of segments specifying information for customs reporting as to the goods items.  
Usage: D ..99  
Notes:

---

**TCC Charge/rate calculations**

---

Function: A segment specifying the Harmonized system number and related rate details.  
Usage: M 1

---

**MOA Monetary amount**

---

Function: A segment specifying the Customs value for a Harmonized system number.  
Usage: R 1

---

**QTY Quantity**

---

Function: A segment specifying the delivery quantity for a Harmonized system number.  
Usage: R 1

---

**LOC Place/location identification**

---

Function: A segment indicating a location where customs clearance should take place, and the country of origin of the goods.  
Usage: O 3

---

**SG32 DGS-FTX-SG33**

---

Function: A group of segments specifying dangerous goods details related to the goods items.  
Usage: D ..9  
Notes: Segment DGS indicates the class of dangerous goods, packing group, etc.

---

**DGS Dangerous goods**

---

Function: A segment specifying dangerous goods regulatory and identification information related to the goods items.  
Usage: M 1

---

**FTX Free text**

---

Function: A segment specifying additional dangerous goods information  
Usage: O ..9

---

**SG33 CTA-COM**

---

Function: A group of segments identifying the people, functions, departments and appropriate numbers to whom communications regarding dangerous goods should be directed.  
Usage: O ..2  
Notes:

---

**CTA Contact information**

---

Function: A segment identifying a person or department, and their function.  
Usage: M 1

---

**COM Communication contact**

---

Function: A segment identifying a communications type and number.  
Usage: O ..3

---

**SG37 EQD-MEA-DIM-SEL**

---

Function: A group of segments specifying information relative to the material handling equipment used for the transportation of goods.  
Usage: O ..9  
Notes: The SEL segment is used if a seal has been placed on the equipment.

---

**EQD Equipment details**

---

Function: A segment identifying a unit of equipment.  
Usage: M 1

---

**MEA Measurements**

---

Function: A segment specifying a measurement, other than dimensions, associated with the identified unit of equipment.  
Usage: O ..3

---

**DIM Dimensions**

---

Function: A segment specifying gross dimensions, associated with the identified unit of equipment.  
Usage: O 1

---

**SEL Seal number**

---

Function: A segment specifying a seal number and party responsible, for the identified unit of equipment.  
Usage: D 1

---

**UNT Message trailer**

---

Function: A service segment ending, and providing information for checking the completeness of a message.  
Usage: M 1

## 2.6 IFTMIN, Segment Layout

The segments are presented in the sequence in which they appear in the message. The segment or segment group tag is followed by the (M)andatory / (C)onditional indicator, the maximum number of occurrences and the segment description.

TAG	Description	M/C	Type	Usage
<b>UNH</b>	<b>Message header</b>	M	1	
<b>62</b>	<b>Message reference number</b>	M	an ... 14	Senders unique message reference. Sequence of the messages in the interchange. DE 0062 in the UNT will be identical. Sender generated, e.g. 1.
<b>S009</b>	<b>MESSAGE IDENTIFIER</b>	M		
65	Message type identifier	M	an ... 6	IFTMIN
52	Message type version number	M	an ... 3	D
54	Message type release number	M	an ... 3	09A
51	Controlling agency	M	an ... 2	UN
57	Association assigned code	C	an ... 6	<i>not used</i>
<b>68</b>	<b>Common access reference</b>	C	an ... 35	<i>not used</i>
<b>S010</b>	<b>Status of the transfer</b>	C		
70	Sequence message transfer number	M	n ... 2	<i>not used</i>
73	First/Last sequence message transfer identification	C	a1	<i>not used</i>
Example: UNH+20569795.1+IFTMIN:D:99B:UN'				

TAG	Description	M/C	Type	Usage
<b>BGM</b>	<b>Beginning of message</b>	M	1	
<b>C002</b>	<b>DOCUMENT/MESSAGE NAME</b>	C		
1001	Document/message name, coded	C	an ... 3	335 = Booking Request
1131	Code list qualifier	C	an ... 17	<i>not used</i>
3055	Code list responsible agency, coded	C	an ... 3	<i>not used</i>
1000	Document/message name	C	an ... 35	<i>not used</i>
<b>C106</b>	<b>DOCUMENT/MESSAGE IDENTIFICATION</b>	C		
1004	Document identifier	C	an ... 35	Transport status number assigned by the document sender.
1056	Version identifier	C	an ... 9	<i>not used</i>
1060	Revision identifier	C	an ... 6	<i>not used</i>
<b>1225</b>	<b>MESSAGE FUNCTION CODE</b>	C	an ... 3	9 = Original 5 = Replace 1 = Cancel
<b>4343</b>	<b>RESPONSE TYPE CODE</b>	C	an ... 3	<i>not used</i>
Example: BGM+335+20569795+9'				



TAG	Description	M/C	Type	Usage
<b>DTM</b>	<b>Date/time/period</b>	C - 9		
<b>C507</b>	<b>DATE/TIME/PERIOD</b>	M		
2005	Date/time/period qualifier	M	an ... 3	137 = Document/message date/time
2380	Date/time/period	C	an ... 35	Date
2379	Date/time/period format qualifier	C	an ... 3	203 = CCYYMMDDHHMM
Example: DTM+137:202210241324:203'				

TAG	Description	M/C	Type	Usage
<b>FTX</b>	<b>Free text</b>	C - 9		
4451	TEXT SUBJECT CODE QUALIFIER	M - 1	an ... 3	AAI = Samskip bookings reference or General information SIN = Special Instructions
4453	Free text function code	C - 1	an ... 3	<i>not used</i>
C107	Text Reference	C - 1		
4441	Free Text Description Code	M	an ... 17	<i>not used</i>
1131	Code list identification code	C	an ... 17	<i>not used</i>
3055	Code list responsible agency code	C	an ... 3	<i>not used</i>
C108	Text Literal	C - 1		
4440	Free text	M	an ... 512	e.g. free text
4440	Free text	C	an ... 512	<i>Optional</i>
4440	Free text	C	an ... 512	<i>Optional</i>
4440	Free text	C	an ... 512	<i>Optional</i>
4440	Free text	C	an ... 512	<i>Optional</i>
3453	Language Name Code	C - 1	an ... 3	e.g. EN or NL
4447	Free Text Format Code	C - 1	an ... 3	<i>not used</i>
Example: FTX+CIP++T+Temporary Storage'				

TAG	Description	M/C	Type	Usage
<b>SG1</b>	<b>LOC-DTM</b>	C - 99		
<b>LOC</b>	<b>PLACE/LOCATION IDENTIFICATION</b>	M - 1		
				9 = Place/port of loading, 11 = Place/port of discharge
3227	PLACE/LOCATION QUALIFIER	M	an ... 3	
C517	LOCATION IDENTIFICATION	C		
3225	Place/location identification	C	an ... 25	NLRTM
1131	Code list qualifier	C	an ... 3	37 = Railway Location
3055	Code list responsible agency, coded	C	an ... 3	6 = UN/ECE
3224	Place/location	C	an ... 70	Rotterdam
	RELATED LOCATION ONE			
C519	IDENTIFICATION	C		
	Related place/location one			
3223	identification	C	an ... 25	<i>not used</i>
1131	Code list qualifier	C	an ... 3	<i>not used</i>
3055	Code list responsible agency, coded	C	an ... 3	<i>not used</i>
3222	Related place/location one	C	an ... 70	<i>not used</i>
	RELATED LOCATION TWO			
C553	IDENTIFICATION	C		
	Related place/location two			
3233	identification	C	an ... 25	<i>not used</i>
1131	Code list qualifier	C	an ... 3	<i>not used</i>
3055	Code list responsible agency, coded	C	an ... 3	<i>not used</i>
3232	Related place/location two	C	an ... 70	<i>not used</i>
5479	RELATION, CODED	C	an ... 3	<i>not used</i>
Example: LOC+9+NLRTM:37:6:Rotterdam'				

TAG	Description	M/C	Type	Usage
<b>SG3</b>	<b>RFF-DTM</b>	C - 999		
<b>RFF</b>	<b>REFERENCE</b>	M - 1		
<b>C506</b>	<b>Reference</b>	M - 1		
1153	Reference Code Qualifier	M	an ... 3	SRN = Shipment reference number or transport order number
1154	Reference Identifier	C	an ... 70	47417
1156	Document Line Identifier	C	an ... 6	<i>not used</i>
1056	Version Identifier	C	an ... 9	<i>not used</i>
1060	Revision Identifier	C	an ... 6	<i>not used</i>
Example: RFF+SRN:3022739'				

TAG	Description	M/C	Type	Usage
<b>SG3</b>	<b>RFF-DTM</b>	C - 999		
<b>DTM</b>	<b>Date/time/period</b>	C - 9		
<b>C507</b>	<b>DATE/TIME/PERIOD</b>	M		
2005	Date/time/period qualifier	M	an ... 3	4 = Order document issue date time
2380	Date/time/period	C	an ... 35	Date
2379	Date/time/period format qualifier	C	an ... 3	203 = CCYYMMDDHHMM
Example: DTM+4:202210241324:203'				

TAG	Description	M/C	Type	Usage
<b>NAD-LOC-MOA-SG12-SG13-SG14-SG15-SG16-SG17</b>				
<b>SG11</b>	<b>Name and Address</b>	M - 1		
<b>NAD</b>	<b>Party Function Code Qualifier</b>	M - 1	an ... 3	CA = Carrier CZ = Consignor
3035	PARTY IDENTIFICATION DETAILS	C - 1		
C082	Party Identifier	M	an ... 35	<i>not used</i>
1131	Code List Identification Code	C	an ... 17	<i>not used</i>
3055	Code List Responsible Agency Code	C	an ... 9	<i>not used</i>
C058	Name and Address	C - 1		
3124	Name and Address Description	M	an ... 35	<i>not used</i>
3124	Name and Address Description	C	an ... 35	<i>not used</i>
3124	Name and Address Description	C	an ... 35	<i>not used</i>
3124	Name and Address Description	C	an ... 35	<i>not used</i>
3124	Name and Address Description	C	an ... 35	<i>not used</i>
C080	Party Name	C - 1		
3036	Party Name	M	an ... 70	<i>Samskip MCL</i>
3036	Party Name	C	an ... 70	<i>not used</i>
3036	Party Name	C	an ... 70	<i>not used</i>
3036	Party Name	C	an ... 70	<i>not used</i>
3036	Party Name	C	an ... 70	<i>not used</i>
3045	Party Name format code	C	an ... 3	<i>not used</i>
C059	Street	C - 1		
3042	Street and number or post office box identifier	M	an ... 35	Waalhaven Oostzijde 81
3042	Street and number or post office box identifier	C	an ... 35	<i>not used</i>
3042	Street and number or post office box identifier	C	an ... 35	<i>not used</i>
3042	Street and number or post office box identifier	C	an ... 35	<i>not used</i>
3042	Street and number or post office box identifier	C	an ... 35	<i>not used</i>
3164	City Name	C - 1	an ... 35	Rotterdam
C819	Country Subdivision Details	C - 1		
3229	Country Subdivision Identifier	C	an ... 9	<i>not used</i>
1131	Code List Identification Code	C	an ... 17	<i>not used</i>

3055	Code List Responsible Agency Code	C	an ... 3	<i>not used</i>
3228	Country Subdivision Name	C	an ... 70	<i>not used</i>
3251	Postal Identification Code	C - 1	an ... 17	3087 BM
3207	Country Identifier	C - 1	an ... 3	NL

Example:

NAD+CA+++Samskip Multimodal BV+Waalhaven O.Z. 81 Havennr.2203+Rotterdam++3087 BM+NL'

NAD+CZ+++PARTNERXYZ B.V.+Eenlingstraat 12+Rotterdam++3087 AF+NL'

NAD+EX+DE6045626++CompanyA GmbH+Gebäude?:K 10/Raum 12291+Leverkusen++51367+DE'

NAD+IM+GB840346929000++CompanyB Ltd+Pearls Road (Stirlingshire)+Grangemouth++FK3 7 XG+GB'

TAG	Description	M/C	Type	Usage
<b>SG18</b>	<b>GID-HAN-TMP-RNG-TMD-LOC-MOA-PIA-FTX-PCD-SG19-GDS-SG20-SG21-SG22-SG23-SG24-SG25-SG27-SG29-SG31-SG32</b>	C -		
		99999		
<b>GID</b>	<b>Good Item Details</b>	M - 1		
1496	Good Item Number	M - 1	an ... 6	Item Number
C213	Number and type of Packages	C - 1		
7224	Package Quantity	C	n ... 8	26
7065	Package Type Description Code	C	an ... 17	EPEF
1131	Code List Identification Code	C	an ... 17	PX
3055	Code List Responsible Agency Code	C	an ... 3	6
7064	Type of packages	C	an ... 35	Chep Pallets, Europallet eq.
7233	Packaging related Description Code	C	an ... 3	<i>not used</i>
C213	Number and type of Packages	C - 1		
7224	Package Quantity	C	n ... 8	<i>not used</i>
7065	Package Type Description Code	C	an ... 17	<i>not used</i>
1131	Code List Identification Code	C	an ... 17	<i>not used</i>
3055	Code List Responsible Agency Code	C	an ... 3	<i>not used</i>
7064	Type of packages	C	an ... 35	<i>not used</i>
7233	Packaging related Description Code	C	an ... 3	<i>not used</i>
C213	Number and type of Packages	C - 1		
7224	Package Quantity	C	n ... 8	<i>not used</i>
7065	Package Type Description Code	C	an ... 17	<i>not used</i>
1131	Code List Identification Code	C	an ... 17	<i>not used</i>
3055	Code List Responsible Agency Code	C	an ... 3	<i>not used</i>
7064	Type of packages	C	an ... 35	<i>not used</i>
7233	Packaging related Description Code	C	an ... 3	<i>not used</i>
C213	Number and type of Packages	C - 1		
7224	Package Quantity	C	n ... 8	<i>not used</i>
7065	Package Type Description Code	C	an ... 17	<i>not used</i>
1131	Code List Identification Code	C	an ... 17	<i>not used</i>
3055	Code List Responsible Agency Code	C	an ... 3	<i>not used</i>
7064	Type of packages	C	an ... 35	<i>not used</i>
7233	Packaging related Description Code	C	an ... 3	<i>not used</i>
C213	Number and type of Packages	C - 1		
7224	Package Quantity	C	n ... 8	<i>not used</i>
7065	Package Type Description Code	C	an ... 17	<i>not used</i>

1131	Code List Identification Code	C	an ... 17	<i>not used</i>
3055	Code List Responsible Agency Code	C	an ... 3	<i>not used</i>
7064	Type of packages	C	an ... 35	<i>not used</i>
7233	Packaging related Description Code	C	an ... 3	<i>not used</i>
Example: GID+1+26::PX:6:Pallets'				
GID+1+1'				

TAG	Description	M/C	Type	Usage
<b>SG18</b>	<b>GID-HAN-TMP-RNG-TMD-LOC- MOA-PIA-FTX-PCD-SG19-GDS-SG20- SG21-SG22-SG23-SG24-SG25-SG27- SG29-SG31-SG32</b>	C - 99999		
<b>RNG</b>	<b>Range Details</b>	C - 1		
6167	Range Type Code Qualifier	M - 1	an ... 3	12 = Transport Temperature Range
C280	Temperature Setting	C - 1		
6411	Measurement Unit Code	M - 1	an ... 8	DD= Degree CEL= Celcius FAR= Fahrenheit
6162	Range Minimum Quantity	C	n ... 18	-50
6411	Range Maximum Quantity	C	n ... 18	-75
Example: RNG+12+CEL:-75:-50'				

TAG	Description	M/C	Type	Usage
<b>SG18</b>	<b>GID-HAN-TMP-RNG-TMD-LOC- MOA-PIA-FTX-PCD-SG19-GDS-SG20- SG21-SG22-SG23-SG24-SG25-SG27- SG29-SG31-SG32</b>	C - 99999		
<b>FTX</b>	<b>Free text</b>	C - 99		
4451	TEXT SUBJECT CODE QUALIFIER	M - 1	an ... 3	AAA = Good Item Description
4453	Free text function code	C - 1	an ... 3	<i>not used</i>
C107	Text Reference	C - 1		
4441	Free Text Description Code	M	an ... 17	<i>not used</i>
1131	Code list identification code	C	an ... 17	<i>not used</i>
3055	Code list responsible agency code	C	an ... 3	<i>not used</i>
C108	Text Literal	C - 1		
4440	Free text	M	an ... 512	<u>Optional</u>
4440	Free text	C	an ... 512	<i>Optional</i>
4440	Free text	C	an ... 512	<i>Optional</i>
4440	Free text	C	an ... 512	<i>Optional</i>
4440	Free text	C	an ... 512	<i>Optional</i>
3453	Language Name Code	C - 1	an ... 3	<i>Optional</i>
4447	Free Text Format Code	C - 1	an ... 3	<i>not used</i>
Example: FTX+AAA+++4,6-Dichloropyrimidine Hot Melt ** ONLY in Shippers Owned Tanks !! **'				
Example: FTX+AEB+++CONNECT_VESSEL'				
Example: FTX+AEB+++CONNECT_TOTERM'				

TAG	Description	M/C	Type	Usage
<b>SG19</b>	<b>NAD-DTM-LOC</b>	C - 9		
<b>NAD</b>	<b>Name and Address</b>	M - 1		
<b>3035</b>	<b>PARTY FUNCTION CODE QUALIFIER</b>	M - 1	an ... 3	<b>PW</b> = Despatch party. Party where goods are to be, or have been, taken over by a carrier such as the place where a container is picked-up. (Collection)
C082	PARTY IDENTIFICATION DETAILS	C - 1		
3039	Party Identifier	M	an ... 35	<i>not used</i>
1131	Code List Identification Code	C	an ... 17	<i>not used</i>
3055	Code List Responsible Agency Code	C	an ... 9	<i>not used</i>
C058	Name and Address	C - 1		
3124	Name and Address Description	M	an ... 35	<i>not used</i>
3124	Name and Address Description	C	an ... 35	<i>not used</i>
3124	Name and Address Description	C	an ... 35	<i>not used</i>
3124	Name and Address Description	C	an ... 35	<i>not used</i>
3124	Name and Address Description	C	an ... 35	<i>not used</i>
C080	Party Name	C - 1		
3036	Party Name	M	an ... 70	<i>Samskip MCL</i>
3036	Party Name	C	an ... 70	<i>not used</i>
3036	Party Name	C	an ... 70	<i>not used</i>
3036	Party Name	C	an ... 70	<i>not used</i>
3036	Party Name	C	an ... 70	<i>not used</i>
3045	Party Name format code	C	an ... 3	<i>not used</i>
C059	Street	C - 1		
	Street and number or post office			Waalhaven Oostzijde 81
3042	box identifier	M	an ... 35	
	Street and number or post office			<i>not used</i>
3042	box identifier	C	an ... 35	
	Street and number or post office			<i>not used</i>
3042	box identifier	C	an ... 35	
	Street and number or post office			<i>not used</i>
3042	box identifier	C	an ... 35	
3164	City Name	C - 1	an ... 35	Rotterdam
C819	Country Subdivision Details	C - 1		
3229	Country Subdivision Identifier	C	an ... 9	<i>not used</i>
1131	Code List Identification Code	C	an ... 17	<i>not used</i>
3055	Code List Responsible Agency Code	C	an ... 3	<i>not used</i>
3228	Country Subdivision Name	C	an ... 70	<i>not used</i>
3251	Postal Identification Code	C - 1	an ... 17	3087 BM
3207	Country Identifier	C - 1	an ... 3	NL
Example: NAD+PW+++RST Zuidzijde 2750+Havennr 2750 / Reeweg 35+Rotterdam++3089 KM+NL'				
Example: NAD+DP+++Forth Ports Plc+Central Road+Grangemouth++FK3 8UE+GB'				

TAG	Description	M/C	Type	Usage
<b>SG19</b>	<b>NAD-DTM-LOC</b>	C - 9		

<b>DTM</b>	<b>Date/time/period</b>	<b>M - 1</b>		
<b>C507</b>	<b>DATE/TIME/PERIOD</b>	<b>M</b>		
2005	Date/time/period qualifier	M	an ... 3	200 = Cargo pick-up date / time, 2 = Delivery date/time, requested
2380	Date/time/period	C	an ... 35	Date
2379	Date/time/period format qualifier	C	an ... 3	203 = CCYYMMDDHHMM
Example: DTM+200:202211031900:203'				
Example: DTM+2:202211062000:203'				

TAG	Description	M/C	Type	Usage
<b>SG20</b>	<b>MEA-EQN</b>	<b>C - 99</b>		
<b>MEA</b>	<b>Measurements</b>	<b>M - 1</b>		
6311	Measurement Purpose Code Qualifier	M - 1	an ... 3	WT = Weight AAE = Measurement
C502	Measurement Details	C - 1		
6313	Measured Attribute Code	C	an ... 3	AAB = Goods item gross weight VGM = VGM weight
6321	Measurement Significance Code	C	an ... 3	<i>not used</i>
6155	Non-Discrete Measurement Name Code	C	an ... 17	<i>not used</i>
6154	Non-Discrete Measurement Name	C	an ... 70	<i>not used</i>
C174	Value/Range	C - 1		
6411	Measurement Unit Code	M	an ... 8	KGM
6314	Measure	C	an ... 18	1000
6162	Range Minimum Quantity	C	n ... 18	<i>not used</i>
6152	Range Maximum Quantity	C	n ... 18	<i>not used</i>
6432	Significant Digits Quantity	C	n ... 2	<i>not used</i>
7383	Surface or Layer Code	C - 1	an ... 3	<i>not used</i>
Example: MEA+WT+AAB+KGM:24000'				
Example: MEA+AAE+T+KGM:3650'				

TAG	Description	M/C	Type	Usage
<b>SG22</b>	<b>RFF-DTM</b>	<b>C - 999</b>		
<b>RFF</b>	<b>REFERENCE</b>	<b>M - 1</b>		
<b>C506</b>	<b>Reference</b>	<b>M - 1</b>		
1153	Reference Code Qualifier	M	an ... 3	AAP = Partial shipment identifier
1154	Reference Identifier	C	an ... 70	327581
1156	Document Line Identifier	C	an ... 6	<i>not used</i>
1056	Version Identifier	C	an ... 9	<i>not used</i>
1060	Revision Identifier	C	an ... 6	<i>not used</i>
Example: RFF+AAP:327581'				

TAG	Description	M/C	Type	Usage
<b>SG32</b>	<b>DGS-FTX-SG33-SG34-SG35</b>	<b>C - 99</b>		
<b>DGS</b>	<b>Dangerous Goods</b>	<b>M - 1</b>		

8273	Dangerous Goods Regulations Code	C - 1	an ... 3	ADR = European agreement on the international carriage of dangerous goods on road
<b>C205</b>	<b>Hazard Code</b>	C - 1		
8351	Hazard Identification Code	M	an ... 7	9
8087	Additional hazard classification Identifier	C	an ... 7	<i>Optional</i>
8092	Hazard Code Version Identifier	C	an ... 10	<i>Optional</i>
C234	UNDG Information	C - 1		
7124	United Nation Dangerous Goods (UNDG)	C	n4	2211
7088	Dangerous Goods Flashpoint description	C	an ... 8	<i>Optional</i>
C223	Dangerous Goods Shipment Flashpoint	C - 1		
7106	Shipment flashpoint degree	C	n3	<i>Optional</i>
6411	Measurement unit code	C	an ... 8	<i>Optional</i>
8339	Packaging Danger Level Code	C - 1	an ... 3	3
8364	Emergency Procedure for Ships Identifier	C - 1	an ... 6	<i>Optional</i>
8410	Hazard Medical First Aid Guide Identifier	C - 1	an ... 4	<i>Optional</i>
8126	Transport Emergency Card Identifier	C - 1	an ... 10	<i>Optional</i>
C235	Hazard Identification Placard Details	C - 1		
	Orange Hazard Placard Upper part			
8158	Identifier	C	an ... 4	<i>Optional</i>
	Orange Hazard Placard Lower part			
8186	Identifier	C	an4	<i>Optional</i>
C236	Dangerous Goods Label	C - 1		
8246	Dangerous Goods Marking Identifier	C	an ... 4	<i>Optional</i>
8246	Dangerous Goods Marking Identifier	C	an ... 4	<i>Optional</i>
8246	Dangerous Goods Marking Identifier	C	an ... 4	<i>Optional</i>
8246	Dangerous Goods Marking Identifier	C	an ... 4	<i>Optional</i>
8255	Packing Instruction Type Code	C - 1	an ... 3	<i>Optional</i>
8179	Transport Means Description Code	C - 1	an ... 8	<i>Optional</i>
	Hazardous Cargo Transport			
8211	Authorisation Code	C - 1	an ... 3	<i>Optional</i>
Example: DGS+ADR+9+2211++3'				
DGS+ADR+8.0+2735++II'				

TAG	Description	M/C	Type	Usage
<b>SG32</b>	<b>DGS-FTX-SG33-SG34-SG35</b>	C - 99		
<b>FTX</b>	<b>Free text</b>	C - 99		
4451	TEXT SUBJECT CODE QUALIFIER	M - 1	an ... 3	<b>AAD</b> = Dangerous goods technical name <b>AAC</b> = Dangerous goods additional information
4453	Free text function code	C - 1	an ... 3	<i>not used</i>
C107	Text Reference	C - 1		
4441	Free Text Description Code	M	an ... 17	<i>not used</i>
1131	Code list identification code	C	an ... 17	<i>not used</i>
3055	Code list responsible agency code	C	an ... 3	<i>not used</i>
C108	Text Literal	C - 1		



4440	Free text	M	an ... 512	Good Description
4440	Free text	C	an ... 512	<i>Optional</i>
4440	Free text	C	an ... 512	<i>Optional</i>
4440	Free text	C	an ... 512	<i>Optional</i>
4440	Free text	C	an ... 512	<i>Optional</i>
3453	Language Name Code	C - 1	an ... 3	<i>EN</i>
4447	Free Text Format Code	C - 1	an ... 3	<i>not used</i>

Example: FTX+AAD+++ADR?: UN 2211 Polymeric beads, expandable, evolving flammable vapor: 9, III+EN'  
 FTX+AAC+++MARINE POLLUTANT+EN'  
 FTX+AAC+++ (FP -8.0C)+EN'

TAG	Description	M/C	Type	Usage
<b>SG37</b>	<b>EQD-EQN-TMD-MEA-DIM-SEL-TPL-HAN-TMP-FTX-SG38</b>	C - 999		
<b>EQD</b>	<b>Equipment Details</b>	M - 1		
8053	EQUIPMENT QUALIFIER	M	an ... 3	CN
C237	EQUIPMENT IDENTIFICATION	C		
8260	Equipment identification number	C	an ... 17	SANU7614592
1131	Code list qualifier	C	an ... 3	<i>not used</i>
3055	Code list responsible agency, coded	C	an ... 3	<i>not used</i>
3207	Country, coded	C	an ... 3	<i>not used</i>
C224	EQUIPMENT SIZE AND TYPE	C		
8155	Equipment size and type identification	C	an ... 10	<i>not used</i>
1131	Code list qualifier	C	an ... 3	<i>not used</i>
3055	Code list responsible agency, coded	C	an ... 3	<i>not used</i>
8154	Equipment size and type	C	an ... 35	<i>not used</i>
8077	EQUIPMENT SUPPLIER, CODED	C	an ... 3	<i>not used</i>
8249	EQUIPMENT STATUS, CODED	C	an ... 3	<i>not used</i>
8169	FULL/EMPTY INDICATOR, CODED	C	an ... 3	4 = Empty, 5 = Full

Example: EQD+CN+SANU7614592+++5'

TAG	Description	M/C	Type	Usage
<b>UNT</b>	<b>MESSAGE TRAILER</b>	M - 1		
<b>74</b>	<b>NUMBER OF SEGMENTS IN A MESSAGE</b>	M	n ... 6	The total number of segments contained in the message is detailed here.
<b>62</b>	<b>MESSAGE REFERENCE NUMBER</b>	M	an ... 14	The message reference numbered detailed here should equal the one specified in the UNH segment.

Example: UNT+53+1'

# 3 IFTMIN D.09A example message

## 3.1 IFTMIN D.09A, example

```
UNA:+. ? '
UNB+UNOC:3+PARTNERXYZ+SAMSKIPMCL+221024:1324+20569795.1'
UNH+20569795.1+IFTMIN:D:09A:UN'
BGM+335+20569795+9'
DTM+137:202210241324:203'
FTX+CIP++T+Temporary Storage'
RFF+SRN:3022739'
DTM+4:202210241324:203'
NAD+CA+++Samskip Multimodal BV+Waalhaven O.Z. 81 Havennr.2203+Rotterdam++3087
BM+NL'
NAD+CZ+++PARTNERXYZ B.V.+Eenlingstraat 12+Rotterdam++3087 AF+NL'
NAD+EX+DE6045626++CompanyA GmbH+Gebäude?:K 10/Raum 12291+Leverkusen++51367+DE'
NAD+IM+GB840346929000++CompanyB Ltd+Pearls Road (Stirlingshire)+Grangemouth++FK3 7
XG+GB'
GID+1+1'
FTX+AAA+++4,6-Dichloropyrimidine Hot Melt ** ONLY in Shippers Owned Tanks !! **'
NAD+PW+++RST Zuidzijde 2750+Havennr 2750 / Reeweg 35+Rotterdam++3089 KM+NL'
DTM+200:202211031900:203'
NAD+DP+++Forth Ports Plc+Central Road+Grangemouth++FK3 8UE+GB'
DTM+2:202211062000:203'
MEA+WT+AAB+KGM:24000'
DOC+:::EU'
DGS+ADR+8+1759++2'
FTX+AAC+++CORROSIVE SOLID, N.O.S., MOLTEN'
FTX+AAC+++ (4,6-Dichloropyrimidine)'
EQD+CN+EURU1618098+22K2+++5'
MEA+AAE+T+KGM:3650'
MEA+AAE+VGM+KGM:27650'
UNT+25+20569795.1'
UNZ+1+20569795.1'
```

## 3.2 IFTMIN D.09A, content

### INSTRUCTION MESSAGE

#### General Information

#### DOCUMENT INFORMATION

MESSAGE REFERENCE NUMBER: 20569795.1  
MESSAGE IDENTIFIER: Instruction message  
MESSAGE VERSION NUMBER: Draft version/UN/EDIFACT Directory  
MESSAGE RELEASE NUMBER: Release 1999 - B  
CONTROLLING AGENCY, CODED: UN/ECE/TRADE/WP.4

DOCUMENT/MESSAGE NAME: Booking request  
DOCUMENT/MESSAGE IDENTIFICATION: 20569795  
Message function code: Original

#### DATE/TIME

Document/message date/time: 10/24/2022 (13:24)

NOTES 

Temporary Storage
-------------------

#### REFERENCE

Shipment reference number : 3022739

#### DATE/TIME

Order date/time: 10/24/2022 (13:24)

#### CONTACT INFORMATION

Carrier ID :  
Samskip Multimodal BV  
Waalhaven O.Z. 81 Havennr.2203  
Rotterdam , 3087 BM , NL  
Consignor ID :  
PARTNERXYZ B.V.  
Eenlingstraat 12  
Rotterdam , 3087 AF , NL  
Exporter ID : DE6045626  
CompanyA GmbH  
Gebäude:K 10/Raum 12291  
Leverkusen , 51367 , DE

Importer ID : GB840346929000  
CompanyB Ltd  
Pearls Road (Stirlingshire)  
Grangemouth , FK3 7 XG , GB

#### GOODS ITEM DETAILS

Goods item number: 1  
NUMBER AND TYPE OF PACKAGES: 1

NOTES 4,6-Dichloropyrimidine Hot Melt \*\* ONLY in Shippers Owned Tanks !! \*\*

#### CONTACT INFORMATION

Despatch party ID :  
RST Zuidzijde 2750  
Havennr 2750 / Reeweg 35  
Rotterdam , 3089 KM , NL

#### DATE/TIME

Pick-up/collection date/time of cargo: 11/3/2022 (19:00)

#### CONTACT INFORMATION

Delivery party ID :  
Forth Ports Plc  
Central Road  
Grangemouth , FK3 8UE , GB

#### DATE/TIME

Delivery date/time, requested: 11/6/2022 (20:00)

#### MEASUREMENTS

Unit gross weight: 24000 kilogram

#### DOCUMENT/MESSAGE DETAILS

Document name: EU

#### DANGEROUS GOODS

Dangerous goods regulations code: European agreement on the international carriage of  
HAZARD CODE: 8  
UNDG INFORMATION: 1759  
Packing group, coded: Medium danger

NOTES CORROSIVE SOLID, N.O.S., MOLTEN (4,6-Dichloropyrimidine)

## EQUIPMENT DETAILS

Equipment type code qualifier: Container

EQUIPMENT IDENTIFICATION: EURU1618098

EQUIPMENT SIZE AND TYPE: Code 22K2

Full/empty indicator, coded: Full

## MEASUREMENTS

Tare weight: 3650 kilogram

## MEASUREMENTS

Code VGM27650 kilogram