

## Samskip EDI | Message Implementation Guide

# IFTMBC D.09A

v 1.0 | 9 January 2023

### About This Document

This document provides samples of messages which would validate in the connectivity between SAMSKIP and its trading partners. Subsequent sections provide details for each example introduced.

### Audience

This document is intended for personnel engaged in establishing an electronic connection with SAMSKIP for the purpose of exchanging business transactions over the Internet.

### Document History

| Release Date    | Document Information |
|-----------------|----------------------|
| January 9, 2023 | Initial document.    |

# Index

|     |   |    |
|-----|---|----|
| 1   | Introduction .....                            | 3  |
| 1.1 | EDIFACT is SAMSKIP's preferred format .....   | 3  |
| 1.2 | Scope.....                                    | 3  |
| 2   | IFTMBC D.09A Instruction message .....        | 4  |
| 2.1 | Functional definition .....                   | 4  |
| 2.2 | Field of application.....                     | 4  |
| 2.3 | IFTMBC message, Message Structure Chart ..... | 4  |
| 2.4 | IFTMBC message, Branching Diagram .....       | 7  |
| 2.5 | IFTMBC message, Segment Description .....     | 9  |
| 2.6 | IFTMBC, Segment Layout .....                  | 13 |
| 3   | IFTMBC D.99B example message .....            | 14 |
| 3.1 | IFTMBC D.99B, example.....                    | 14 |
| 3.2 | IFTMBC D.99B, content .....                   | 14 |

# 1 Introduction

## 1.1 EDIFACT is SAMSKIP's preferred format

SAMSKIP supports several formats for exchanging EDI messages. EDIFACT, X12, xml, json, csv and flat files are in use. If the partner can use EDIFACT, this is the preferred format.

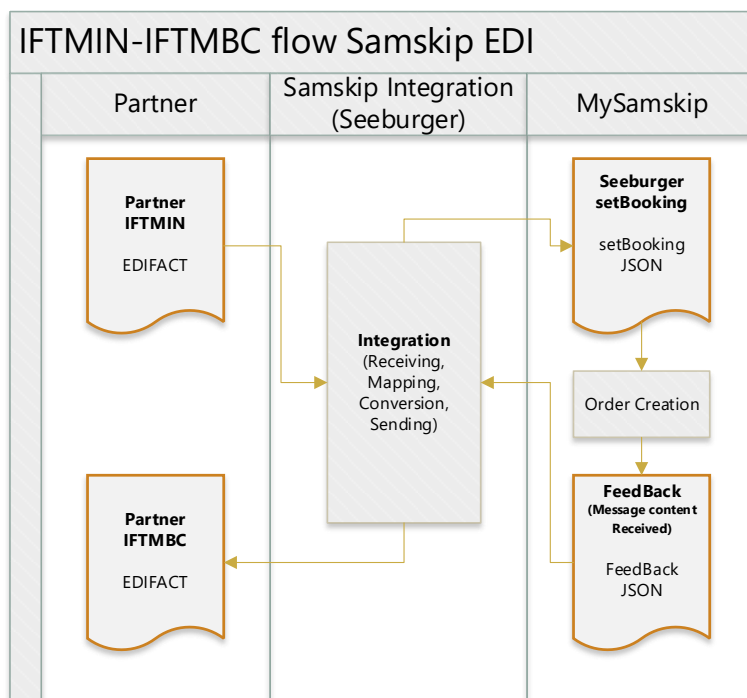
EDIFACT provides:

- A set of syntax rules to structure data
- Standard messages that allow data exchange between different industries and different countries – also known as a transaction
- An extensive set of code lists and indicates which protocol is used for secure messaging
- Developed in 1987 by the United Nations (UN), providing an international standard
- EDIFACT is ISO 9735-10:2014 certified

At the time of writing, we're using Seeburger as our EDI system, capable of providing an even wider range of formats.

## 1.2 Scope

We limited the number of messages we describe in this guide to four, most preferred and most used messages in our Partner integrations.



## 2 IFTMBC D.09A Instruction message

### 2.1 Functional definition

A message from the party providing forwarding and/or transport services to the party booking those services giving the confirmation information to the booking of the consignment concerned. A confirmation might read that the booking of a consignment is accepted, pending, conditionally accepted or rejected.

The conditions under which requested services take place may be given in this message.

This message can also be used between vessel operators, vessel sharing partners and cargo receiving and handling facilities such as marine terminals, inland receiving depots, rail ramps and truck terminals to confirm cargo particulars and equipment requirements of the transport provider to the service provider responsible for dispatching empty equipment and receiving the cargo. A message from the party issuing an instruction regarding forwarding/transport services for a consignment under conditions agreed, to the party arranging the forwarding and/or transport services.

### 2.2 Field of application

The Booking confirmation message may be used for both national and international applications. It is based on universal practice related to administration, commerce and transport, and is not dependent on the type of business or industry.

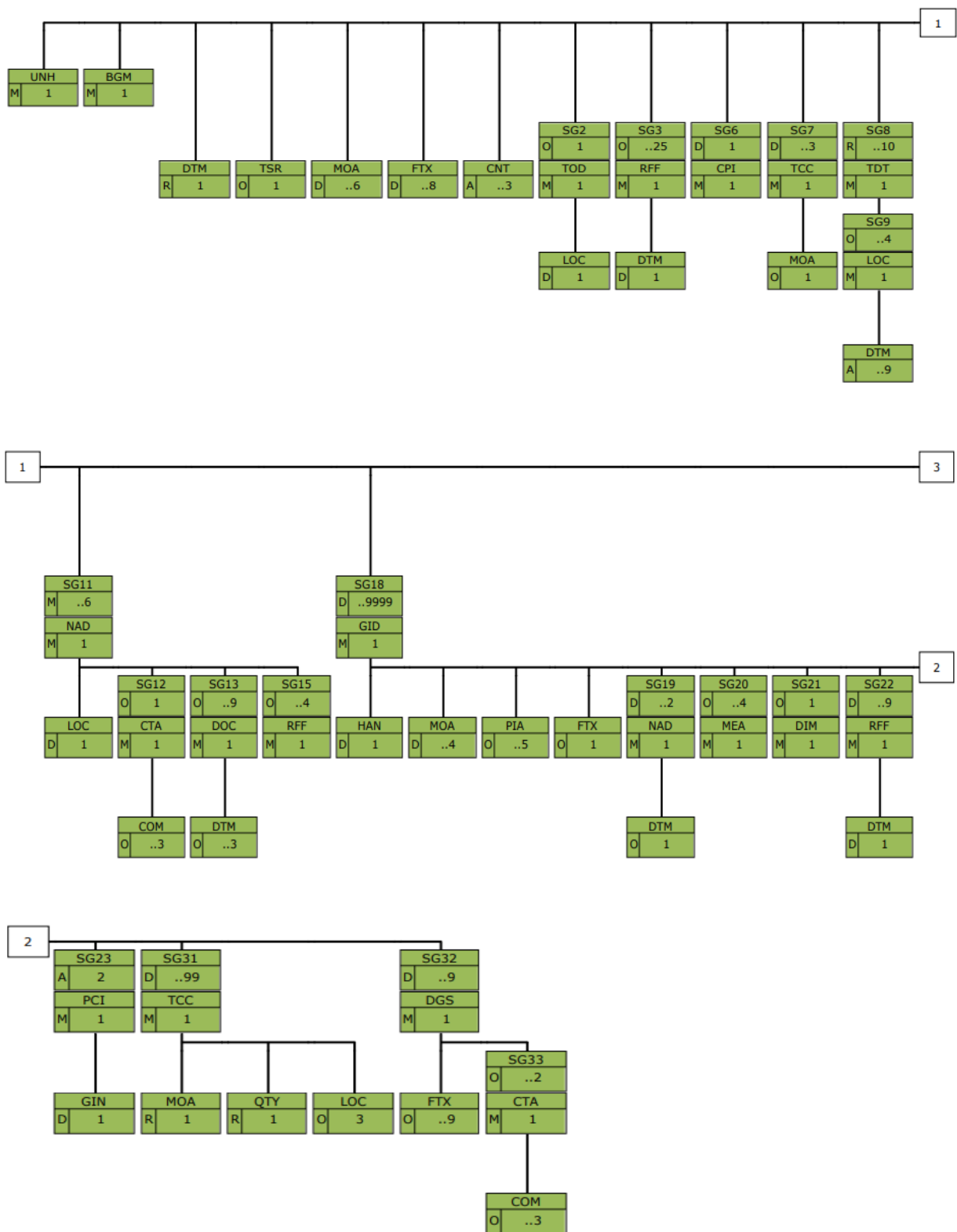
### 2.3 IFTMBC message, Message Structure Chart

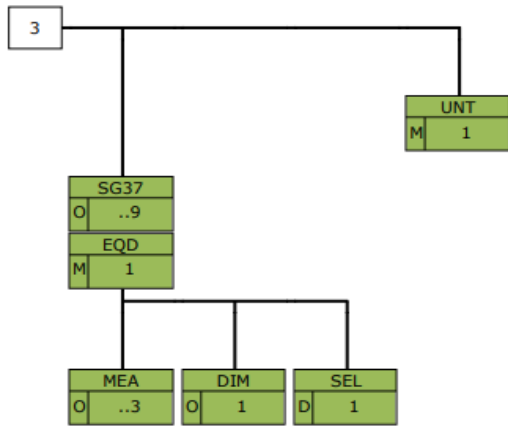
| Pos    | Tag Name                               | S | R  |
|--------|--|---|----|
| 0010   | UNH Message header                     | M | 1  |
| 0020   | BGM Beginning of message               | M | 1  |
| 0030   | CTA Contact information                | C | 1  |
| 0040   | COM Communication contact              | C | 9  |
| 0050   | DTM Date/time/period                   | C | 9  |
| 0060   | TSR Transport service requirements     | C | 9  |
| 0070   | FTX Free text                          | C | 99 |
| 0080   | CNT Control total                      | C | 9  |
| 0090 + | GDS Nature of cargo                    | C | 9  |
| 0100   | —— Segment group 1 ——                  | C | 99 |
| 0110   | LOC Place/location identification      | M | 1  |
| 0120   | DTM Date/time/period                   | C | 9  |
| 0130   | —— Segment group 2 ——                  | C | 99 |
| 0140   | RFF Reference                          | M | 1  |
| 0150   | DTM Date/time/period                   | C | 9  |
| 0160   | TCC Transport charge/rate calculations | C | 9  |
| 0170   | —— Segment group 3 ——                  | C | 99 |
| 0180   | TDT Details of transport               | M | 1  |
| 0190   | DTM Date/time/period                   | C | 9  |
| 0200   | TSR Transport service requirements     | C | 9  |
| 0210   | —— Segment group 4 ——                  | C | 99 |
| 0220   | LOC Place/location identification      | M | 1  |
| 0230   | DTM Date/time/period                   | C | 9  |

|        |                                    |   |     |
|--------|------------------------------------|---|-----|
| 0240   | Segment group 5                    | C | 9   |
| 0250   | RFF Reference                      | M | 1   |
| 0260   | DTM Date/time/period               | C | 1   |
| 0270   | Segment group 6                    | C | 99  |
| 0280   | NAD Name and address               | M | 1   |
| 0290   | LOC Place/location identification  | C | 9   |
| 0300   | Segment group 7                    | C | 9   |
| 0310   | CTA Contact information            | M | 1   |
| 0320   | COM Communication contact          | C | 9   |
| 0330   | Segment group 8                    | C | 99  |
| 0340   | TSR Transport service requirements | M | 1   |
| 0350   | RFF Reference                      | C | 1   |
| 0360   | LOC Place/location identification  | C | 1   |
| 0370   | TPL Transport placement            | C | 1   |
| 0380   | FTX Free text                      | C | 9   |
| 0390   | Segment group 9                    | C | 999 |
| 0400   | GID Goods item details             | M | 1   |
| 0410   | HAN Handling instructions          | C | 1   |
| 0420   | TMP Temperature                    | C | 1   |
| 0430   | RNG Range details                  | C | 1   |
| 0440   | TMD Transport movement details     | C | 1   |
| 0450   | LOC Place/location identification  | C | 9   |
| 0460   | FTX Free text                      | C | 9   |
| 0470   | PCD Percentage details             | C | 9   |
| 0480   | Segment group 10                   | C | 9   |
| 0490   | NAD Name and address               | M | 1   |
| 0500   | DTM Date/time/period               | C | 1   |
| 0510   | GDS Nature of cargo                | C | 9   |
| 0520   | Segment group 11                   | C | 99  |
| 0530   | MEA Measurements                   | M | 1   |
| 0540   | EQN Number of units                | C | 1   |
| 0550   | Segment group 12                   | C | 99  |
| 0560   | DIM Dimensions                     | M | 1   |
| 0570   | EQN Number of units                | C | 1   |
| 0580   | Segment group 13                   | C | 9   |
| 0590   | RFF Reference                      | M | 1   |
| 0600   | DTM Date/time/period               | C | 9   |
| 0610   | Segment group 14                   | C | 9   |
| 0620   | DOC Document/message details       | M | 1   |
| 0630   | DTM Date/time/period               | C | 9   |
| 0640 * | Segment group 15                   | C | 99  |
| 0650   | DGS Dangerous goods                | M | 1   |
| 0660   | FTX Free text                      | C | 99  |
| 0670   | Segment group 16                   | C | 9   |
| 0680   | CTA Contact information            | M | 1   |
| 0690   | COM Communication contact          | C | 9   |
| 0700   | Segment group 17                   | C | 9   |

|        |                                |   |     |  |
|--------|--------------------------------|---|-----|--|
| 0710   | MEA Measurements               | M | 1   |  |
| 0720   | EQN Number of units            | C | 1   |  |
| 0730   | Segment group 18               | C | 999 |  |
| 0740   | EQD Equipment details          | M | 1   |  |
| 0750   | EQN Number of units            | C | 1   |  |
| 0760   | TMD Transport movement details | C | 1   |  |
| 0770   | MEA Measurements               | C | 9   |  |
| 0780   | DIM Dimensions                 | C | 9   |  |
| 0790   | HAN Handling instructions      | C | 1   |  |
| 0800   | TMP Temperature                | C | 1   |  |
| 0810   | RNG Range details              | C | 9   |  |
| 0820   | FTX Free text                  | C | 9   |  |
| 0830   | RFF Reference                  | C | 9   |  |
| 0840   | Segment group 19               | C | 9   |  |
| 0850   | NAD Name and address           | M | 1   |  |
| 0860   | DTM Date/time/period           | C | 1   |  |
| 0870 + | Segment group 20               | C | 99  |  |
| 0880 + | DGS Dangerous goods            | M | 1   |  |
| 0890 + | FTX Free text                  | C | 9   |  |
| 0900 + | Segment group 21               | C | 9   |  |
| 0910 + | CTA Contact information        | M | 1   |  |
| 0920 + | COM Communication contact      | C | 9   |  |
| 0930   | UNT Message trailer            | M | 1   |  |

## 2.4 IFTMBC message, Branching Diagram







## 2.5 IFTMBC message, Segment Description

0010 UNH, Message header

A service segment starting and uniquely identifying a message. The message type code for the Booking confirmation message is IFTMBC.

0020 BGM, Beginning of message

A segment to indicate the beginning of a message and to transmit identifying number and type of the message.

0030 CTA, Contact information

A segment to identify a person or department to whom communication should be directed.

0040 COM, Communication contact

A segment to identify a communication number of a person or department to whom communication should be directed.

0050 DTM, Date/time/period

A segment to indicate a date and time applying to the whole message, e.g., date and time of document issue.

0060 TSR, Transport service requirements

A segment to provide confirmation details of the required transport services.

0070 FTX, Free text

A segment to specify free form or processable supplementary information, such as status of transport, remarks to be printed on the transport documents (where required), consignment remarks, insurance instructions, etc., or any other additional information.

0080 CNT, Control total

A segment to specify totals for a consignment.

0090 GDS, Nature of cargo

A segment to describe the nature of cargo.

0100 Segment group 1: LOC-DTM

A group of segments to specify locations and related date(s)/time(s) which apply to the entire message, e.g. place of transshipment.

0110 LOC, Place/location identification

A segment to identify a location applying to the entire message.

0120 DTM, Date/time/period

A segment to indicate date(s) and time(s) relating to the location.

0130 Segment group 2: RFF-DTM

A group of segments containing a reference and constants which apply to the entire message.

0140 RFF, Reference

A segment to express a reference which applies to the entire message such as: the document/message number that is to be updated by this very message (according to data element 1225 Message function code in segment BGM), booking reference, order number, insurance contract, etc.

0150 DTM, Date/time/period

A segment to indicate date and time relating to the reference.

0160 TCC, Transport charge/rate calculations

A segment to provide information on the charges associated with the transport.

0170 Segment group 3: TDT-DTM-TSR-SG4-SG5

A group of segments to indicate details of the movement of goods such as mode and means of transport, locations, departure, and arrival date(s) and time(s).

0180 TDT, Details of transport

A segment to indicate information related to a certain stage of the transport, such as mode, means and carrier.

0190 DTM, Date/time/period

---

A segment to indicate departure/arrival date and time.

0200 TSR, Transport service requirements

---

A segment to identify contract, conditions of carriage, services, priority requirements for this stage of transport.

0210 Segment group 4: LOC-DTM

---

A group of segments to specify a location and date/time related to this leg of transport.

0220 LOC, Place/location identification

---

A segment to indicate a location such as origin, destination, stop off, etc. related to this leg of transport.

0230 DTM, Date/time/period

---

A segment to specify a date/time related to the location, such as arrival date/time of a means of transport at a specific location.

0240 Segment group 5: RFF-DTM

---

A group of segments to specify an additional reference related to the stage of the transport.

0250 RFF, Reference

---

A segment to specify the additional reference.

0260 DTM, Date/time/period

---

A segment to identify date and time relating to the reference.

0270 Segment group 6: NAD-LOC-SG7-SG8

---

A group of segments to identify a party, related references, locations contacts, required documents, and charges to be paid by the party.

0280 NAD, Name and address

---

A segment to identify the party's name, address, and function.

0290 LOC, Place/location identification

---

A segment to indicate location where a specific function will be performed.

0300 Segment group 7: CTA-COM

---

A group of segments to identify a contact and its communications related to the party.

0310 CTA, Contact information

---

A segment to identify a person or department within the party.

0320 COM, Communication contact

---

A segment to identify a communication number of a person or department to whom communication should be directed.

0330 Segment group 8: TSR-RFF-LOC-TPL-FTX

---

A group of segments to specify a transport service requirement and its associated details (such as applicable commercial agreement) related to the party.

0340 TSR, Transport service requirements

---

A segment to specify a required service for the transport, such as re-icing.

0350 RFF, Reference

---

A segment to identify a commercial agreement related to the service requirement.

0360 LOC, Place/location identification

---

A segment to indicate the location where the required service must be performed, such as place of re-icing.

0370 TPL, Transport placement

---

A segment to identify the means of transport to which the service requirement applies.

0380 FTX, Free text

---

A segment to provide any additional information related to the service requirement.

0390 Segment grp 9: GID-HAN-TMP-RNG-TMD-LOC-FTX-PCD-SG10-GDS- SG11-SG12-SG13-SG14-SG15

---

A group of segments to describe the goods items for which transport is undertaken.

0400 GID, Goods item details

---

A segment to identify a goods item for which transport is undertaken. A goods item can be identified by up to three levels of packaging.

0410 HAN, Handling instructions

---

A segment to specify handling instructions relating to the goods item.

0420 TMP, Temperature

---

A segment to specify a temperature setting for a goods item.

0430 RNG, Range details

---

A segment to specify a temperature range setting for a goods item.

0440 TMD, Transport movement details

---

A segment to specify transport movement details for a goods item.

0450 LOC, Place/location identification

---

A segment to specify a country associated with a goods item, such as country of origin, or country of destination.

0460 FTX, Free text

---

A segment to specify processable supplementary information relating to the goods item.

0470 PCD, Percentage details

---

A segment to specify percentages related to cargo shipped in controlled atmosphere equipment such as percentage humidity.

0480 Segment group 10: NAD-DTM

---

A group of segments to identify different places of collection and/or delivery for the goods item.

0490 NAD, Name and address

---

A segment to specify an address of a place of collection or delivery for a goods item.

0500 DTM, Date/time/period

---

A segment to indicate date and time relating to the place of collection or delivery.

0510 GDS, Nature of cargo

---

A segment to describe the nature of cargo.

0520 Segment group 11: MEA-EQN

---

A group of segments to specify measurements applicable to a goods item.

0530 MEA, Measurements

---

A segment to specify measurements, other than dimensions, applicable to a goods item.

0540 EQN, Number of units

---

A segment to specify the number of equipment units to each of which the given measurement applies.

0550 Segment group 12: DIM-EQN

---

A group of segments to specify dimensions applicable to a goods item.

0560 DIM, Dimensions

---

A segment to specify dimensions applicable to a goods item.

0570 EQN, Number of units

---

A segment to specify the number of equipment units to each of which the given dimension applies.

0580 Segment group 13: RFF-DTM

---

A group of segments to identify references to a goods item.

0590 RFF, Reference

---

A segment to identify a reference to a goods item.

0600 DTM, Date/time/period

---

A segment to indicate date and time relating to the reference.

0610 Segment group 14: DOC-DTM

---

A group of segments to specify documents and associated date(s) and time(s) for a goods item.

0620 DOC, Document/message details

---

A segment to specify a document prepared for a goods item.

0630 DTM, Date/time/period

---

A segment to associate date and time with the prepared document.

0640 Segment group 15: DGS-FTX-SG16-SG17

---

A group of segments to specify dangerous goods details related to the goods item. One goods item may be in different dangerous goods classes.

0650 DGS, Dangerous goods

---

A segment to indicate the class of dangerous goods, packing group, etc.

0660 FTX, Free text

---

A segment to specify the dangerous goods technical name and to specify any additional dangerous goods information.

0670 Segment group 16: CTA-COM

---

A group of segments to identify a contact to whom communication regarding the dangerous goods can be directed.

0680 CTA, Contact information

---

A segment to identify a person or department.

0690 COM, Communication contact

---

A segment to identify a communication number of a person or department.

0700 Segment group 17: MEA-EQN

---

A group of segments to identify dangerous goods measurements.

0710 MEA, Measurements

---

A segment to specify measurements of the dangerous goods.

0720 EQN, Number of units

---

A segment to specify the number of equipment units to each of which the given measurement applies.

0730 Segment group 18: EQD-EQN-TMD-MEA-DIM-HAN-TMP-RNG-FTX-RFF-SG19-SG20

---

A group of segments to specify equipment in which goods are transported.

0740 EQD, Equipment details

---

A segment to specify equipment, and equipment size and type used in the transport.

0750 EQN, Number of units

---

A segment to specify number of pieces of equipment required.

0760 TMD, Transport movement details

---

A segment to specify transport movement details for the equipment.

0770 MEA, Measurements

---

A segment to specify measurements, other than dimensions, associated with the equipment, such as weight.

0780 DIM, Dimensions

---

A segment to specify dimensions applicable to equipment.

0790 HAN, Handling instructions

---

A segment to specify handling instructions for specified equipment.

0800 TMP, Temperature

---

A segment to specify a temperature setting for the equipment.

0810 RNG, Range details

---

A segment to indicate a temperature range setting for the equipment.

0820 FTX, Free text

---

A segment to specify processable supplementary information associated with the equipment.

0830 RFF, Reference

---

A segment to specify a reference number to equipment.

0840 Segment group 19: NAD-DTM

---

A group of segments to identify different equipment pick-up or drop-off places.

0850 NAD, Name and address

---

A segment to specify a pick-up or drop-off address.

0860 DTM, Date/time/period

---

A segment to indicate date and time relating to pick-up or drop-off.

0870 Segment group 20: DGS-FTX-SG21

---

A group of segments to specify dangerous goods.

0880 DGS, Dangerous goods

---

A segment to indicate the dangerous goods regulations which apply, the class of the dangerous goods, additional dangerous goods codes, the United Nations Dangerous Goods (UNDG) number and the shipment flash point.

0890 FTX, Free text

---

A segment to specify supplementary details regarding the dangerous goods such as dangerous goods technical name and other additional information.

0900 Segment group 21: CTA-COM

---

A group of segments to specify contact information.

0910 CTA, Contact information

---

A segment to identify a person or department to be contacted regarding dangerous goods.

0920 COM, Communication contact

---

A segment to specify communication details of the dangerous goods contact.

0930 UNT, Message trailer

---

A service segment ending a message, giving the total number of segments in the message (including the UNH & UNT) and the control reference number of the message.

## 2.6 IFTMBC, Segment Layout

The segments are presented in the sequence in which they appear in the message. The segment or segment group tag is followed by the (M)andatory / (C)onditional indicator, the maximum number of occurrences and the segment description.

# 3 IFTMBC D.99B example message

## 3.1 IFTMBC D.99B, example

H.UNH: UNH+1+IFTMBC:D:99B:UN:2.0  
H.BGM: BGM+770+20569795+6+AP  
H.CTA: CTA+CW+:Samskip Customer Service  
H.COM: COM+CSG@samskip.com:EM  
H.DTM: DTM+137:202210241436:203  
H.TSR: TSR+30  
H.LOC.LOC: LOC+10+NLRTM:181:6:Rotterdam  
H.LOC.LOC: LOC+125+GBGRG:181:6:Grangemouth  
H.RFF.RFF: RFF+SI:3022739  
H.RFF.RFF: RFF+AIW:20569795  
H.RFF.RFF: RFF+SRN:3022739  
H.RFF.RFF: RFF+CT:QT161263-03  
H.RFF.RFF: RFF+BN:2200246487  
H.TDT.TDT: TDT+20+GL2067+1+8+SBDU:172:182+++::SAMSK INNOVATOR  
H.TDT.LOC.LOC: LOC+9+NLRTM:139:6:Rotterdam RST CT  
H.TDT.LOC.DTM: DTM+133:202211040700:203  
H.TDT.LOC.DTM: DTM+180:202211032000:203  
H.TDT.LOC.LOC: LOC+11+GBGRG:139:6:Grangemouth CT  
H.TDT.LOC.DTM: DTM+132:202211050800:203  
H.NAD.NAD: NAD+CA+SBDU:160:87+Samskip Multimodal B.V.  
H.NAD.NAD: NAD+CZ+1045354:160:192+Partner XYZ  
H.GID.GID: GID+1  
H.GID.FTX: FTX+AAA+++CORROSIVE SOLID, N.O.S.  
H.GID.MEA.MEA: MEA+AAE+G+KGM:24000  
H.EQD.EQD: EQD+CN+EURU1618098:146:ZZZ+F2T:102:5  
H.EQD.EQN: EQN+1:2  
H.EQD.NAD.NAD: NAD+CK++Rotterdam RST CT:Reeweg:Rotterdam RST CT++Reeweg  
35:Rotterdam+++3089 KM+NLD  
H.EQD.NAD.DTM: DTM+200:20221103:102  
H.EQD.NAD.NAD: NAD+TR++Grangemouth CT:Central Dock Road:Grangemouth CT  
++Central Dock Road 35:Grangemouth+++FK3 8UE+GBR  
H.EQD.NAD.DTM: DTM+17:20221105:102  
H.UNT: UNT+31+1

## 3.2 IFTMBC D.99B, content

### BOOKING CONFIRMATION MESSAGE

#### General Information

#### DOCUMENT INFORMATION

MESSAGE REFERENCE NUMBER: 1

MESSAGE IDENTIFIER: Booking confirmation message

MESSAGE VERSION NUMBER: Draft version/UN/EDIFACT Directory  
MESSAGE RELEASE NUMBER: Release 1999 - B  
CONTROLLING AGENCY, CODED: UN/ECE/TRADE/WP.4  
ASSOCIATION ASSIGNED CODE: Code 2.0

DOCUMENT/MESSAGE NAME: Booking confirmation  
DOCUMENT/MESSAGE IDENTIFICATION: 20569795  
Message function code: Confirmation  
Response type code: Accepted

#### **CONTACT INFORMATION**

Contact function code: Confirmed with  
Department or employee: Samskip Customer Service

#### **COMMUNICATION CONTACT**

COMMUNICATION CONTACT: CSG@samskip.com  
Communication number code qualifier: Electronic mail

#### **DATE/TIME**

Document/message date/time: 10/24/2022 (14:36)

#### **TRANSPORT SERVICE REQUIREMENTS**

CONTRACT AND CARRIAGE CONDITION: Pier-to-pier

#### **PLACE/LOCATION IDENTIFICATION**

Place of acceptance : NLRTM  
Code list identification code: Activity  
Code list responsible agency code: UN/ECE (United Nations - Economic Commission for  
Location name: Rotterdam

#### **PLACE/LOCATION IDENTIFICATION**

Last place/port of call of conveyance : GBGRG  
Code list identification code: Activity  
Code list responsible agency code: UN/ECE (United Nations - Economic Commission for  
Location name: Grangemouth

#### **REFERENCE**

SID (Shipper's identifying number for shipment) : 3022739

#### **REFERENCE**

Transport section reference number : 20569795

#### **REFERENCE**

Shipment reference number : 3022739

## REFERENCE

Contract number : QT161263-03

## REFERENCE

Booking reference number : 2200246487

## DETAILS OF TRANSPORT

Transport stage code qualifier: Main-carriage transport

Conveyance reference number: GL2067

MODE OF TRANSPORT: 1

TRANSPORT MEANS: Container ship

CARRIER: SBDU

Code list identification code: Carriers

Code list responsible agency code: US, Standard Carrier Alpha Code (Motor)

Transport means identification name: SAMSK INNOVATOR

## PLACE/LOCATION IDENTIFICATION

Place/port of loading : NLRM

Code list identification code: Port

Code list responsible agency code: UN/ECE (United Nations - Economic Commission for Europe)

Location name: Rotterdam RST CT

## DATE/TIME

Departure date/time, estimated: 11/4/2022 (07:00)

Closing date/time: 11/3/2022 (20:00)

## PLACE/LOCATION IDENTIFICATION

Place/port of discharge : GBGRG

Code list identification code: Port

Code list responsible agency code: UN/ECE (United Nations - Economic Commission for Europe)

Location name: Grangemouth CT

## DATE/TIME

Arrival date/time, estimated: 11/5/2022 (08:00)

## CONTACT INFORMATION

Carrier (Assigned by carrier) : SBDU

Samskip Multimodal B.V.

Consignor (Shipper's association) : 1045354

Partner XYZ



## GOODS ITEM DETAILS

Goods item number: 1

NOTES CORROSIVE SOLID, N.O.S.

## MEASUREMENTS

Gross weight: 24000 kilogram

## EQUIPMENT DETAILS

Equipment type code qualifier: Container

EQUIPMENT IDENTIFICATION: EURU1618098

Code list identification code: Means of transport identification

Code list responsible agency code: Mutually defined

EQUIPMENT SIZE AND TYPE: Code F2T

Code list identification code: Size and type

Code list responsible agency code: ISO (International Organization for Standardization)

## NUMBER OF UNITS

NUMBER OF UNIT DETAILS: 1

Unit type code qualifier: Transportable unit

## CONTACT INFORMATION

Empty equipment despatch party ID :

Rotterdam RST CT , Reeweg , Rotterdam RST CT

Reeweg 35 , Rotterdam

## DATE/TIME

Pick-up/collection date/time of cargo: 11/3/2022

## CONTACT INFORMATION

Terminal operator ID :

Grangemouth CT , Central Dock Road , Grangemouth CT

Central Dock Road 35 , Grangemouth

## DATE/TIME

Delivery date/time, estimated: 11/5/2022